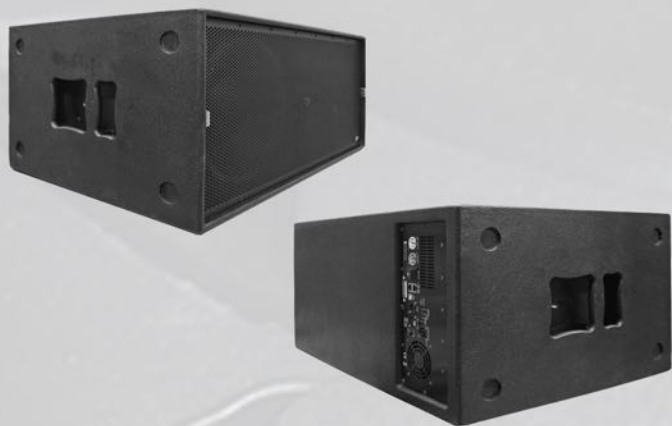


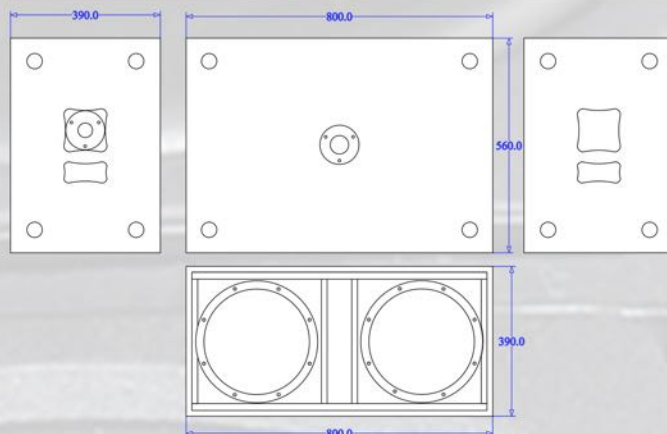
Apt-SC212 Active Specification Sheet.

Image



Dimensions

Dimensions (HWD): 385, 800, 560mm



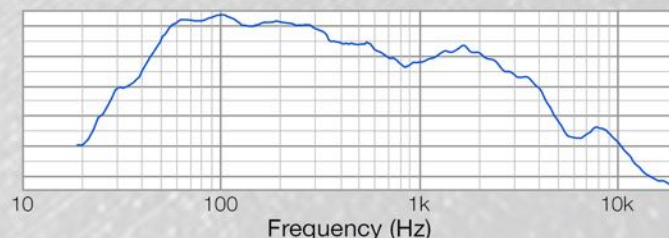
Specification:

| | |
|----------------------------|---------------------------------------|
| Rated Power (AES) | 1400w |
| Rated impedance: | 4Ω |
| SPL (1w1m) | 98dB |
| SPL max: | 129dB |
| Frequency response: | 40Hz - 400Hz |
| Component: | 2 x 12" (3" coil) Ferrite Cast Woofer |
| IP rating: | IP20 |
| Enclosure: | 15mm Birch ply |
| Finish: | Black, White or *Custom colour |
| Rigging points: | 2 x M20 Thread Pole mount |
| Connector: | 2 x XLR Signal In & Out |
| | 1 x SpeakOn Out (for Top pack only) |
| | 1 x USB B for DSP Connection |
| | 1 x PowerCon True1 In & OUT |
| Weight: | 40Kg |

Recommended Settings & Accessory

| | |
|----------------------------|--|
| Crossover settings: | 35Hz LR 24dB |
| | 125Hz 24dB LR |
| With Top Pack | 150Hz 24dB LR |
| Correction EQ: | +3dB 63Hz 15Q |
| Amplifier: | Built In Amplifier with output for CMA82 & DSP |

Frequency Response



* Custom paint colours may incur extra cost and increase build time.
 ** Binding Post, 4 Pole euro block connector available may increase build time.
 Feet are not supplied on all cabins that have locations on them
 Specification can be changed by APT-GB with out prior notice.
 Apt-GB is trading as part of the GGPM LTD Group.