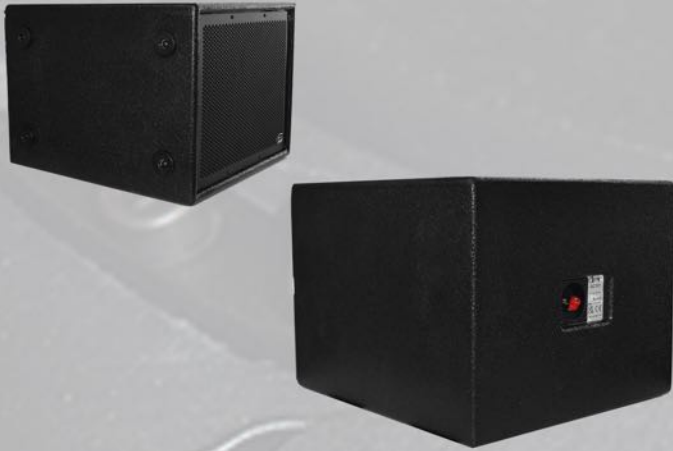
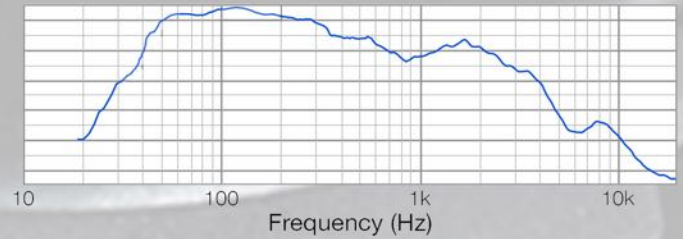


Apt-SC101 Specification Sheet.

Image



Frequency Response

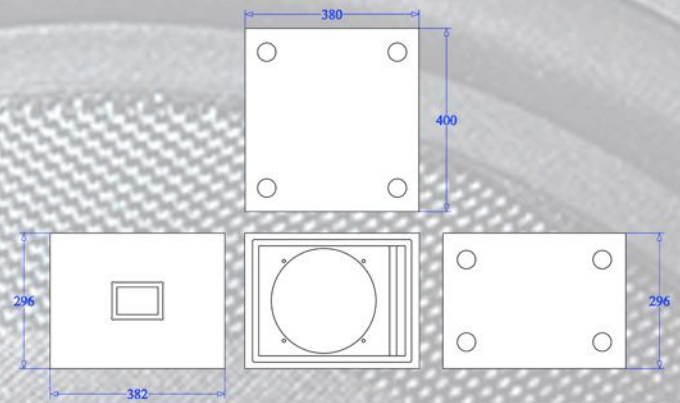


Specification:

Rated Power (AES):	300w
Rated impedance:	8Ω
SPL (1w1m):	94dB
SPL max:	123dB
Frequency response:	40Hz - 400Hz
Component:	1 x 10" ferrite cast woofer
IP rating:	IP20
Enclosure:	15mm Birch ply
Finish:	Black, White or *Custom colour
Connector:	2x Neutrik Speakons or **binding post
Weight:	14Kg

Dimensions

Dimensions (HWD): 300, 380, 400mm



Recommended Settings & Accessory

Crossover settings:	35Hz LR 24dB
	125Hz LR 24dB
	150Hz LR 12dB With Top Pack
Correction EQ:	63Hz, 3dB, 15Q
Amplifier:	500w RMS
Recommended Top Pack:	CLF511

* Custom paint colours may incur extra cost and increase build time.
 ** Binding Post, 4 Pole euro block connector available may increase build time.
 Feet are not supplied on all cabins that have locations on them
 Specification can be changed by APT-GB with out prior notice.
 Apt-GB is trading as part of the GGPM LTD Group.