

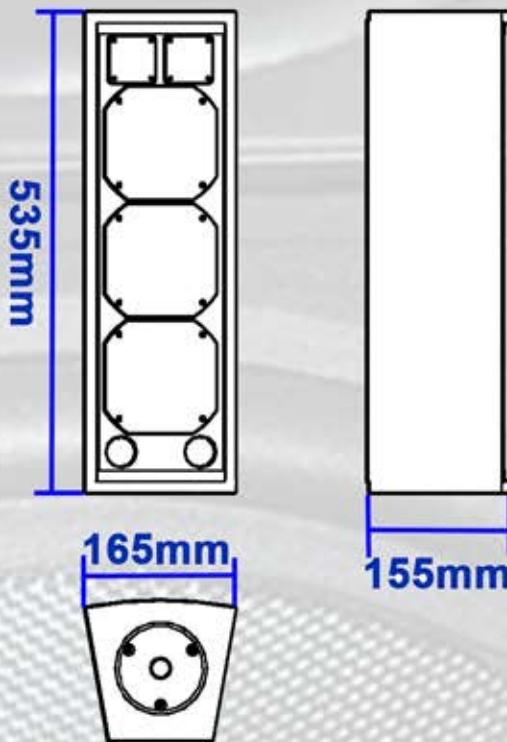
Apt-CLF511 Specification Sheet.

Image



Dimensions

Dimensions (HWD): 535, 165, 155mm



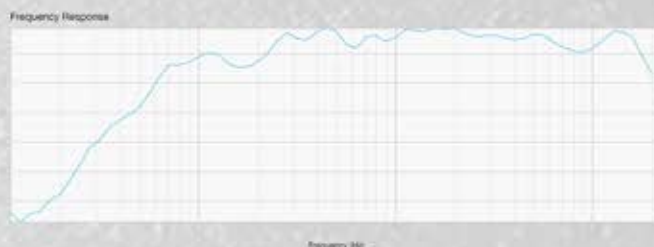
Specification:

Rated Power (AES)	250w
Rated impedance:	8Ω
SPL (1w1m)	94dB
SPL max:	118dB
Frequency response:	65Hz - 20KHz
Component:	3 x 5" Driver & 2 x 0.5" HF
IP rating:	IP20
Enclosure:	12mm Birch ply
Finish:	Black, White or *Custom colour
Flying points:	M20 Top Hat, Powerdrive 75 Point
Connector:	2 x Neutrik Speakon
Weight:	6Kg

Recommended Settings & Accessory

Crossover settings:	60Hz LR 24dB
With SC12.1, SC208	125Hz 24dB LR
With SC12.2, SC10.2	100Hz 24dB LR
Amplifier:	400w RMS
Recommended Sub:	APT-SC12.1, SC12.2, SC10.2, SC208

Frequency Response



* Custom paint colours may incur extra cost and increase build time.
 ** Binding Post, 4 Pole euro block connector available may increase build time.
 Feet are not supplied on all cabins that have locations on them
 Specification can be changed by APT-GB with out prior notice.
 Apt-GB is trading as part of the GGPM LTD Group.