

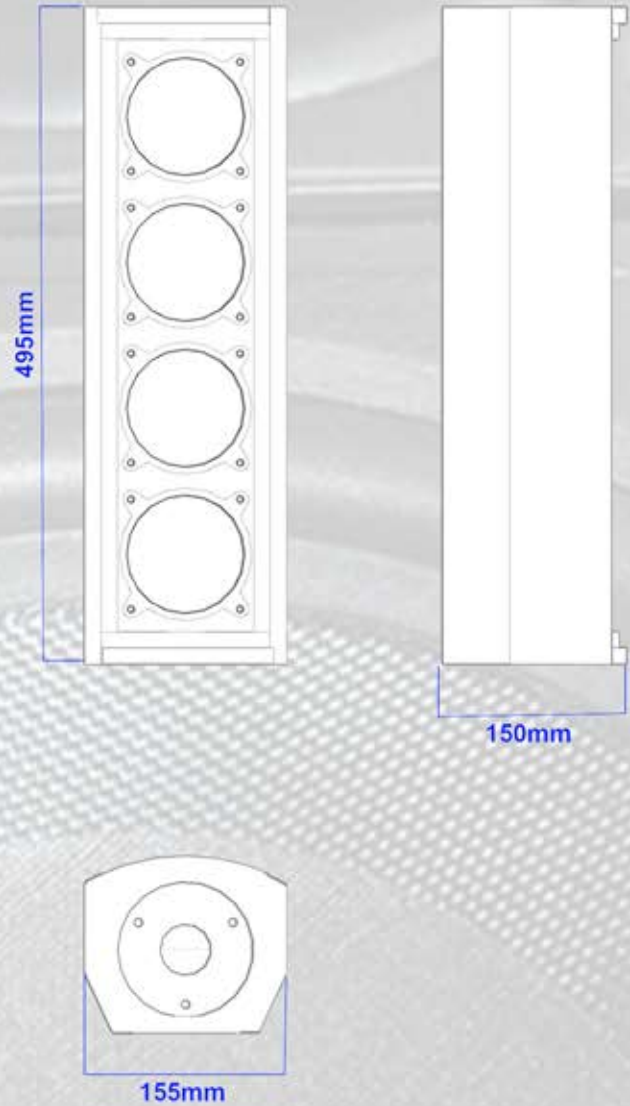
Apt-CL44 Specification Sheet.

Image



Dimensions

Dimensions (HWD): 495, 150, 155mm



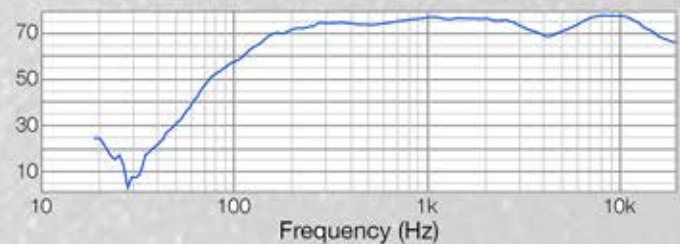
Specification:

Rated Power (AES)	120w
Rated Impedance:	8Ω
SPL (1w1m)	97dB
SPL max:	118dB
Frequency response:	125Hz - 20KHz
Component:	4" (0.75" coil) ferrite cast woofer
Dispersion angle:	120 degree
IP rating:	IP20
Wedge angle:	15degree
Enclosure:	12mm Birch ply
Finish:	Black, White or *Custom colour
Flying points:	2x M10 flying points
	Powerdrive 75 point
	Poll mount M20 thread
Connector:	2x Neutrik Speakons or **binding post
Weight:	8Kg

Recommended Settings & Accessory

Crossover settings:	150Hz LR 12dB (for sub sub)
	150Hz LR 24dB (CL44 range)
Correction EQ:	HS 8KHz, 4dB, 12.Q
Amplifier:	350w RMS
Recommend Sub:	APT-SC15.1
	APT-SC12.1
Recommend Brackets:	Powerdrive 75
	Powerdrive M20 wall mount

Frequency Response



* Custom paint colours may incur extra cost and increase build time.
 ** Binding Post, 4 Pole euro block connector available may increase build time.
 Feet are not supplied on all cabins that have locations on them
 Specification can be changed by APT-GB with out prior notice.
 Apt-GB is trading as part of the GGPM LTD Group.