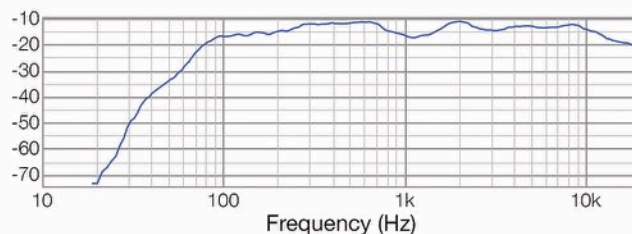


Apt-TCH08 Specification Sheet.

Image



Frequency Response

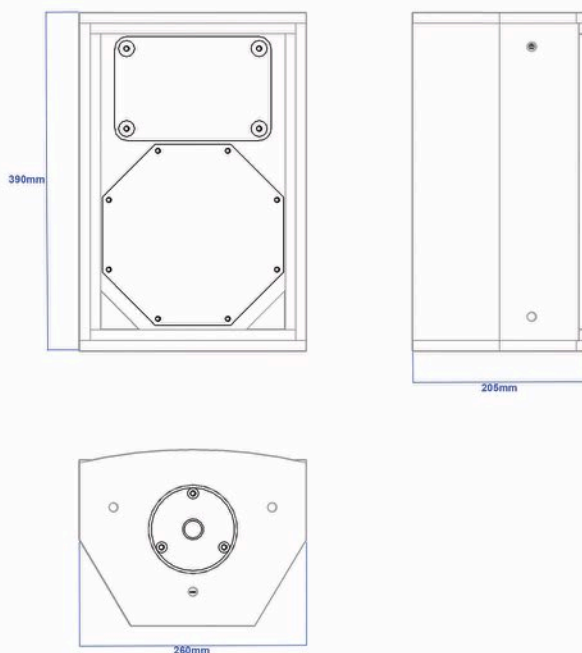


Specification

Rated Power (AES)	225w
Rated impedance:	8Ω
SPL (1w1m)	95dB
SPL max:	118dB
Frequency response:	70Hz - 19KHz
Component:	8" (2" coil) ferrite cast woofer 1.7" Ketone compression HF
Dispersion angle:	80 by 70 degree
IP rating:	IP20
Wedge angle:	30degree
Enclosure:	12mm Birch ply
Finish:	Black, White or *Custom colour
Flying points:	12x M10 flying points Powerdrive 65 point Poll mount M20 thread
Connector:	2x Neutrik Speakons or **binding post
Weight:	10Kg

Dimensions

Dimensions (HWD): 390, 260, 205mm



Recommended Settings & Accessory

Crossover settings:	100Hz LR 24dB (with sub) 45Hz LR 48dB (Full range)
Correction EQ:	2.5KHz, -2.5dB, 3.Q
Amplifier:	600w RMS
Recommend Sub:	APT-SC18.1 APT-SC15.1
Recommend Brackets:	Powerdrive 65 Powerdrive M20 wall mount
Poles:	M20 speaker stand Penn Elcom M20 threaded pole

* Custom paint colours may incur extra cost and increase build time.
 ** Binding post option may increase build time.
 Feet are not supplied on all cabins that have locations on them
 Specification can be changed by APT-GB with out prior notice.
 Apt-GB is trading as part of the GGPM LTD Group.